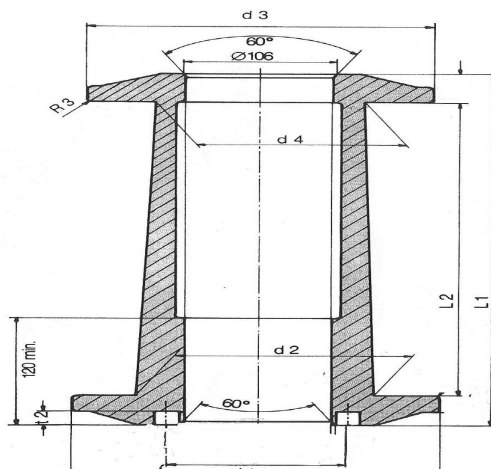




PLASTIC CONICAL SPOOL - 100 KG



Load: about 100 Kg

Outside- \varnothing = 315

Inside- \varnothing = 100

Height = 500

(unit of measurement = mm)